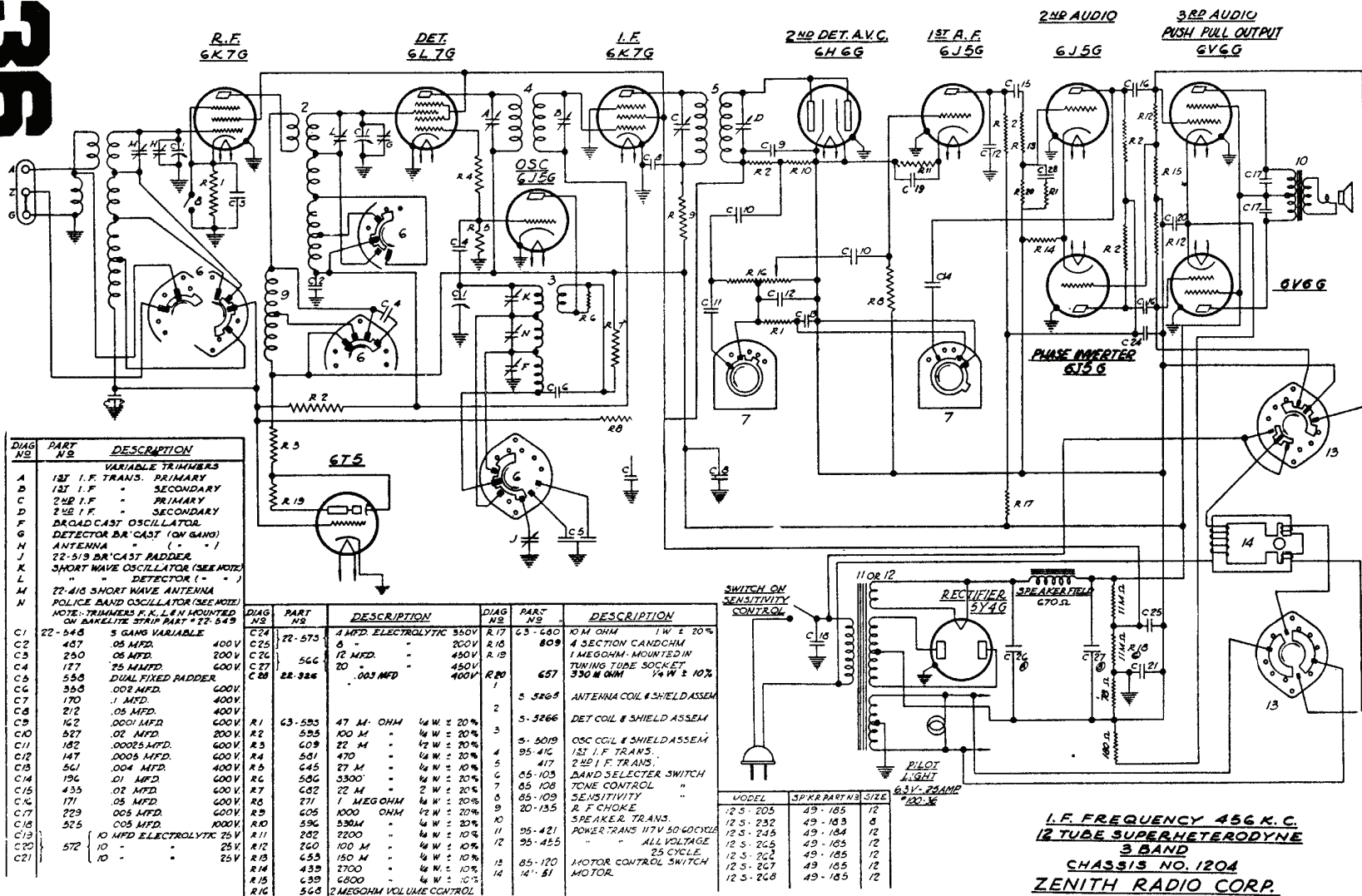


# 236

COMPILED BY M. N. BEITMAN, SUPREME PUBLICATIONS

## Models 12-S-205, 12-S-232, 12-S-245, 12-S-265, 12-S-266, 12-S-267, 12-S-268 (1204 Chassis)

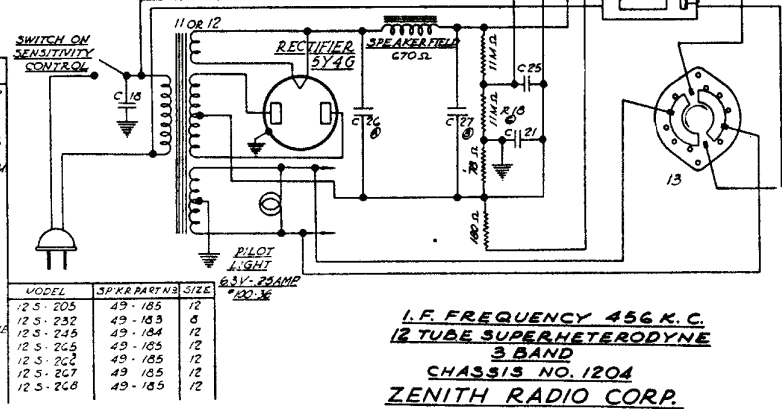
MANUAL OF MOST - OFTEN - NEEDED RADIO DIAGRAMS



DIAG. NO.	PART NO.	DESCRIPTION
A	151	I.F. TRANS. PRIMARY
B	151	I.F. SECONDARY
C	242	I.F. PRIMARY
D	242	I.F. SECONDARY
F	BROAD CAST OSCILLATOR	
G	DETECTOR BR' CAST (ON GANG)	
H	ANTENNA	(ON GANG)
J	22-519 BR'CAST RADDER	
K	SHORT WAVE OSCILLATOR (SEE NOTE)	
L	DETECTOR (-)	
M	22-418 SHORT WAVE ANTENNA	
N	POLICE BAND OSCILLATOR (SEE NOTE)	

NOTE: TRIMMERS F.K. L & N MOUNTED ON BAKELITE STRIP PART # 22-549

DIAG. NO.	PART NO.	DESCRIPTION	DIAG. NO.	PART NO.	DESCRIPTION
C1	22-548	5 GANG VARIABLE	R17	63-480	10M OHM 1% W ± 20%
C2	487	.05 MFD. 400V	R18	809	4 SECTION CANDIDUM
C3	250	.05 MFD. 200V	R19	809	1 MEGOHM MOUNTED IN TUNING TUBE SOCKET
C4	127	.75 M MFD. 600V	R20	657	330 M OHM 1/4 W ± 10%
C5	558	DUAL FIXED RADDER			
C6	358	.002 MFD. 600V			
C7	170	.1 MFD. 400V			
C8	212	.05 MFD. 400V			
C9	162	.0001 MFD. 600V			
C10	827	.02 MFD. 200V			
C11	182	.0005 MFD. 600V			
C12	147	.0005 MFD. 600V			
C13	561	.004 MFD. 400V			
C14	196	.01 MFD. 400V			
C15	435	.01 MFD. 600V			
C16	171	.05 MFD. 600V			
C17	229	.005 MFD. 600V			
C18	525	.005 MFD. 1000V			
C19		.10 MFD ELECTROLYTIC 25V			
C20	572	.10 " " 25V			
C21		.10 " " 25V			
C22					



MODEL	SPEAKER PART NO.	SIZE
12-S-205	49-185	12"
12-S-232	49-183	8"
12-S-245	49-184	12"
12-S-265	49-185	12"
12-S-266	49-185	12"
12-S-267	49-185	12"
12-S-268	49-185	12"

I.F. FREQUENCY 456 K.C.  
12 TUBE SUPERHETERODYNE  
3 BAND  
CHASSIS NO. 1204  
ZENITH RADIO CORP.